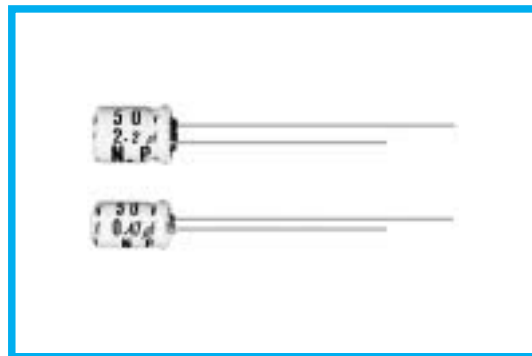


NW7 SERIES
Bi-polar, 7mm Height
◆FEATURES

- RoHS compliance.


◆SPECIFICATIONS

Items	Characteristics																					
Category Temperature Range	-40~+85°C																					
Rated Voltage Range	6.3~50V.DC																					
Capacitance Tolerance	±20% (20°C, 120Hz)																					
Leakage Current(MAX)	I=0.05CV or 10 μA whichever is greater. (After 5 minutes application of rated voltage) I=Leakage Current(μ A) C=Rated Capacitance(μ F) V=Rated Voltage(V)																					
Dissipation Factor(MAX) (tan δ)	<table border="1"> <thead> <tr> <th>Rated Voltage (V)</th> <th>6.3</th> <th>10</th> <th>16</th> <th>25</th> <th>35</th> <th>50</th> </tr> </thead> <tbody> <tr> <td>tan δ</td> <td>0.26</td> <td>0.22</td> <td>0.18</td> <td>0.17</td> <td>0.15</td> <td>0.14</td> </tr> </tbody> </table> (20°C, 120Hz)	Rated Voltage (V)	6.3	10	16	25	35	50	tan δ	0.26	0.22	0.18	0.17	0.15	0.14							
Rated Voltage (V)	6.3	10	16	25	35	50																
tan δ	0.26	0.22	0.18	0.17	0.15	0.14																
Endurance	After applying rated voltage with rated ripple current for 1000hrs at 85°C, (The polarity shall be reversed every 500hrs.), the capacitors shall meet the following requirements. <table border="1"> <tbody> <tr> <td>Capacitance Change</td> <td>Within ±25% of the initial value.</td> </tr> <tr> <td>Dissipation Factor</td> <td>Not more than 200% of the specified value.</td> </tr> <tr> <td>Leakage Current</td> <td>Not more than the specified value.</td> </tr> </tbody> </table>	Capacitance Change	Within ±25% of the initial value.	Dissipation Factor	Not more than 200% of the specified value.	Leakage Current	Not more than the specified value.															
Capacitance Change	Within ±25% of the initial value.																					
Dissipation Factor	Not more than 200% of the specified value.																					
Leakage Current	Not more than the specified value.																					
Low Temperature Stability Impedance Ratio(MAX)	<table border="1"> <thead> <tr> <th>Rated Voltage (V)</th> <th>6.3</th> <th>10</th> <th>16</th> <th>25</th> <th>35</th> <th>50</th> </tr> </thead> <tbody> <tr> <td>Z(-25°C)/Z(20°C)</td> <td>4</td> <td>3</td> <td>3</td> <td>2</td> <td>2</td> <td>2</td> </tr> <tr> <td>Z(-40°C)/Z(20°C)</td> <td>10</td> <td>8</td> <td>6</td> <td>4</td> <td>4</td> <td>4</td> </tr> </tbody> </table> (120Hz)	Rated Voltage (V)	6.3	10	16	25	35	50	Z(-25°C)/Z(20°C)	4	3	3	2	2	2	Z(-40°C)/Z(20°C)	10	8	6	4	4	4
Rated Voltage (V)	6.3	10	16	25	35	50																
Z(-25°C)/Z(20°C)	4	3	3	2	2	2																
Z(-40°C)/Z(20°C)	10	8	6	4	4	4																

◆MULTIPLIER FOR RIPPLE CURRENT

Frequency coefficient

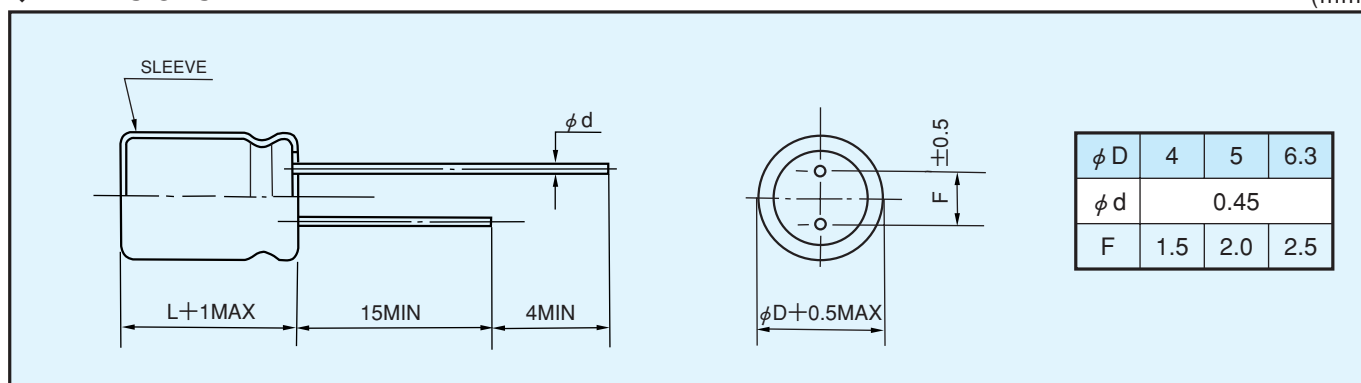
Frequency (Hz)		60(50)	120	500	1k	10k≤
Coefficient	0.1~1 μF	0.50	1.00	1.20	1.30	1.50
	2.2~4.7 μF	0.65	1.00	1.20	1.30	1.50
	10~47 μF	0.80	1.00	1.20	1.30	1.50

◆PART NUMBER

□□□	NW7	□□□□□	□	□□□	□□	D×L
Rated Voltage	Series	Rated Capacitance	Capacitance Tolerance	Option	Lead Forming	Case Size

◆ DIMENSIONS

(mm)



◆ STANDARD SIZE, RATED RIPPLE CURRENT

Size $\phi D \times L$ (mm), Ripple Current (mA r.m.s./85°C, 120Hz)

Cap (μF)	WV (V.DC)	6.3 (0J)		10 (1A)		16 (1C)		25 (1E)		35 (1V)		50 (1H)	
		Size	Ripple	Size	Ripple	Size	Ripple	Size	Ripple	Size	Ripple	Size	Ripple
0.1												4×7	1
0.22												4×7	2
0.33												4×7	3
0.47												4×7	5
1												4×7	10
2.2										4×7	13	5×7	15
3.3								4×7	15	5×7	19	5×7	19
4.7						4×7	18	4×7	18	5×7	22	6.3×7	26
10				4×7	23	4×7	25	6.3×7	35	6.3×7	37		
22		5×7	32	5×7	35	6.3×7	45	6.3×7	50				
33		5×7	40	6.3×7	45	6.3×7	60						
47		6.3×7	56	6.3×7	65	6.3×7	65						